

# MOONBASE ALPHA TECHNICAL NOTEBOOK

PAGE 2006: LASER CANNON

Hardware

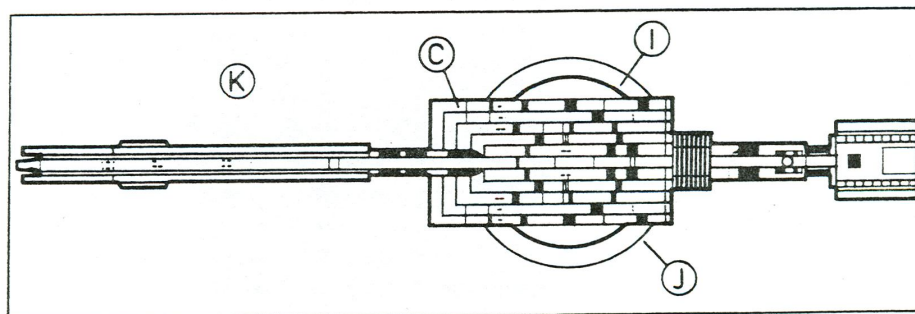
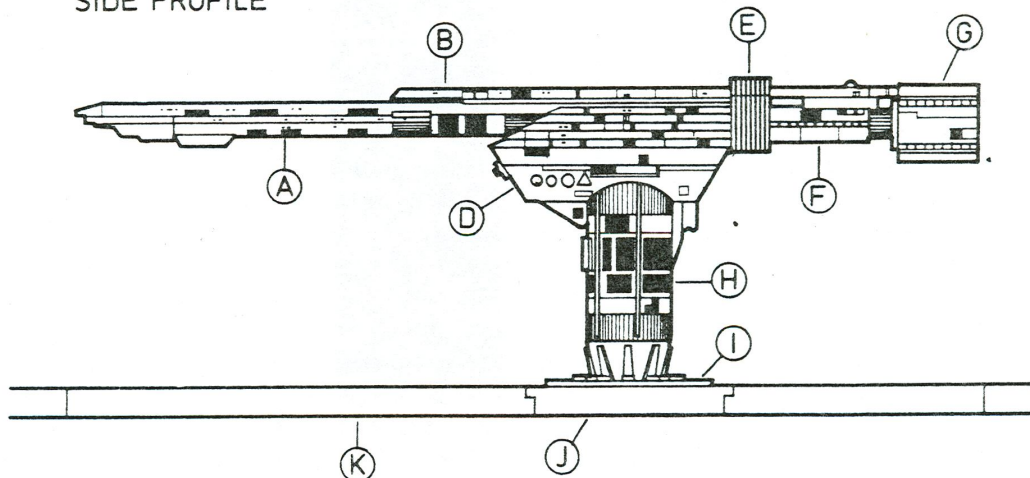
Laser Cannon-2006

## LASER CANNON MAIN DEFENSIVE BATTERY

KEY

- |                                |                              |
|--------------------------------|------------------------------|
| (A) Barrel                     | (G) Nuclear Power Pack       |
| (B) Targeting Sensor           | (H) Support Pedestal         |
| (C) Heat Dissipation Panels    | (I) Base                     |
| (D) Servomotor Assembly        | (J) Turntable (Swivels 360°) |
| (E) Photon Amplification Cells | (K) Elevator                 |
| (F) Laser Source               |                              |

SIDE PROFILE



TOP PLAN

Length: 70.75 ft (21.57 m)  
Width: 9.91 ft (3.02 m)  
Height: 24.29 ft (7.4 m)  
Silo Length: 96 ft (29.26 m)

Silo Width: 48 ft (14.63 m)  
Silo Height: 32 ft (9.75 m)  
Effective Range: 100 miles (161 km)

FEET



METERS

1:144 scale